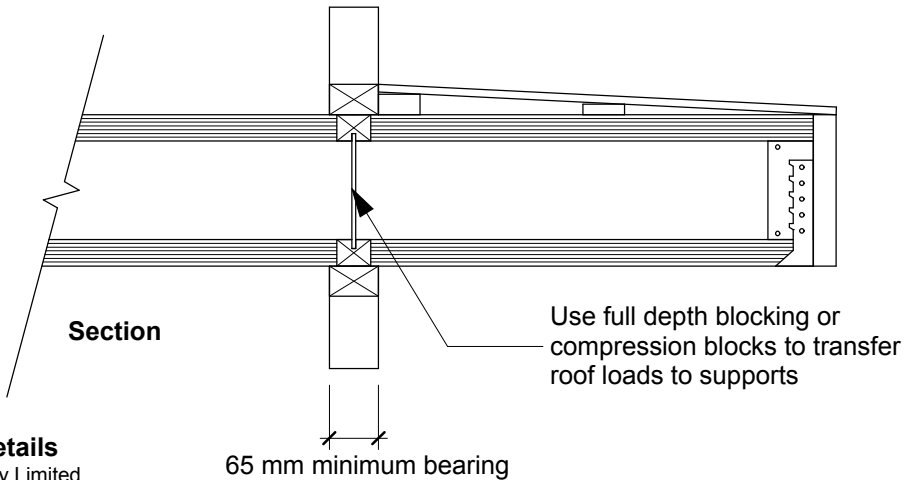


For external use, hyJOIST floor joists must be protected from becoming wet by a fully waterproof deck and treated to H3.1 level



**Detail F13**  
 hyJOIST cantilever for internal or weather proofed balcony applications  
 Scale: NTS  
 May 2007