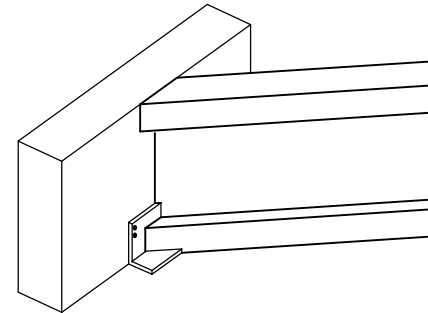
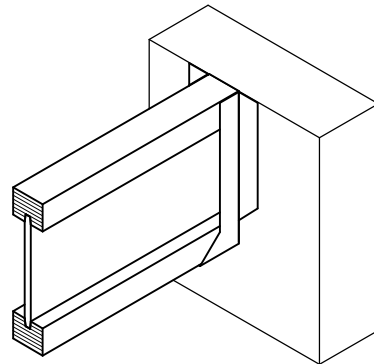


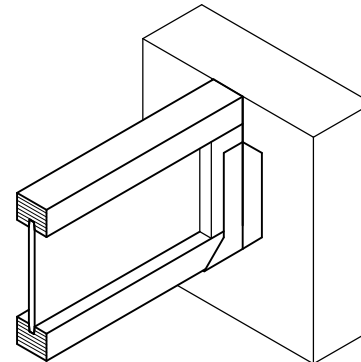
**Top mount hanger**



**Skew angle bracket specific design by engineer**



**Full depth face mount hanger**



**Partial depth face mount hanger with packing to web**

## **Detail F0**

### **Joist Hangers and Brackets**

Scale: NTS

May 2007